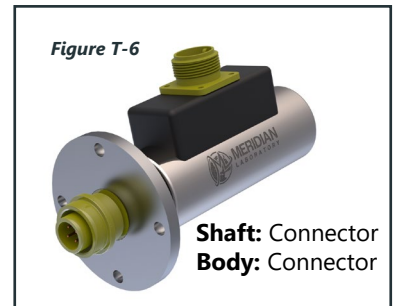
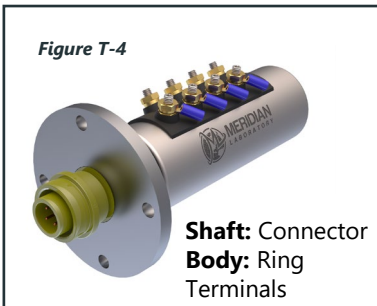
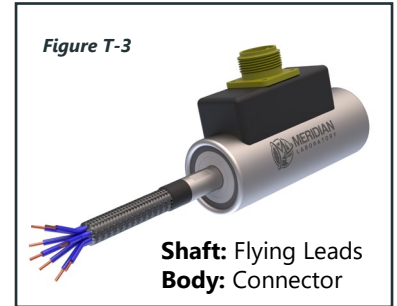
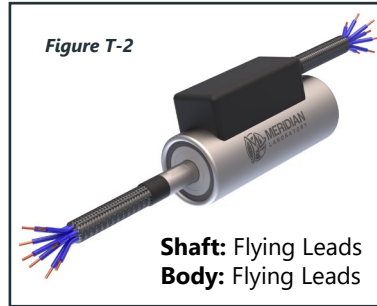


Electrical Termination Options

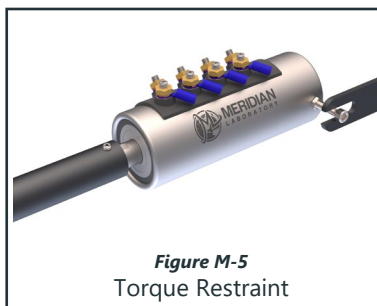
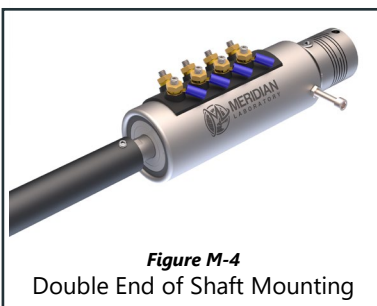
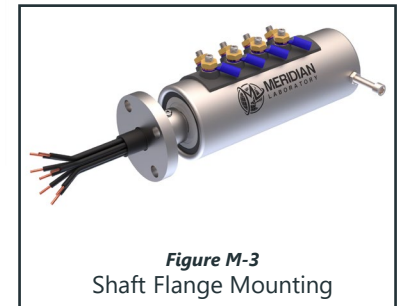
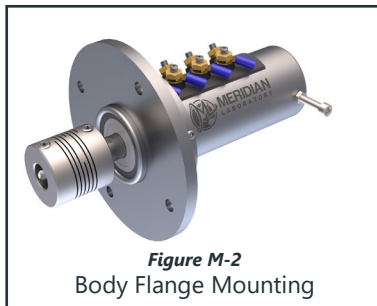
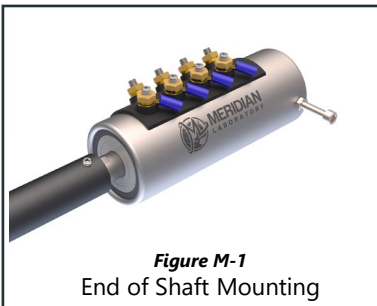
M Series (MM, MX, MY, MZ)



General Notes: Flying Leads standard length of 48", available to any custom length required (Figure: T-1, T-2, T-3, T-5), Connectors can be specified to customer preference at time of order (Figure: T-3, T-4, T-5, T-6)

Mechanical Mounting Options

M Series (MM, MX, MY, MZ)



General Notes:
 Do not rigid mount shaft and body, allow for flexibility in system

PHONE
 608-836-7571
 800-837-6010

EMAIL
info@meridianlab.com